

Aufbauanleitung / Assembly instructions

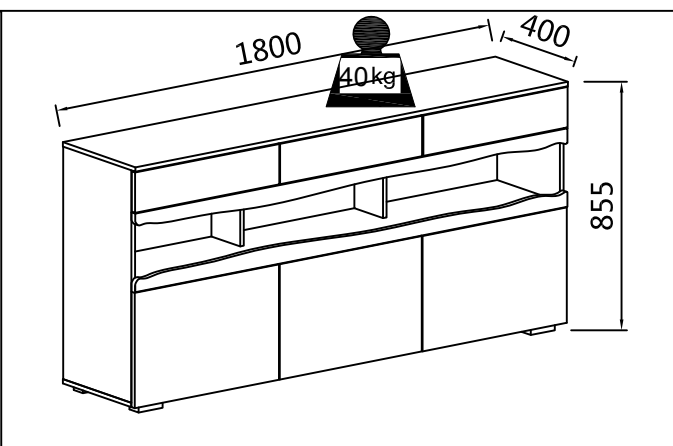
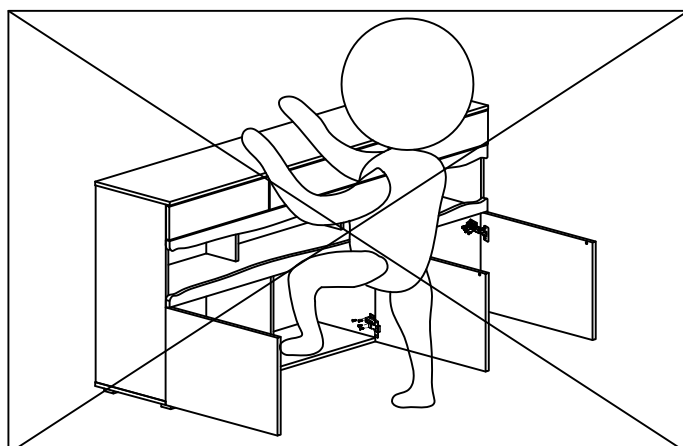
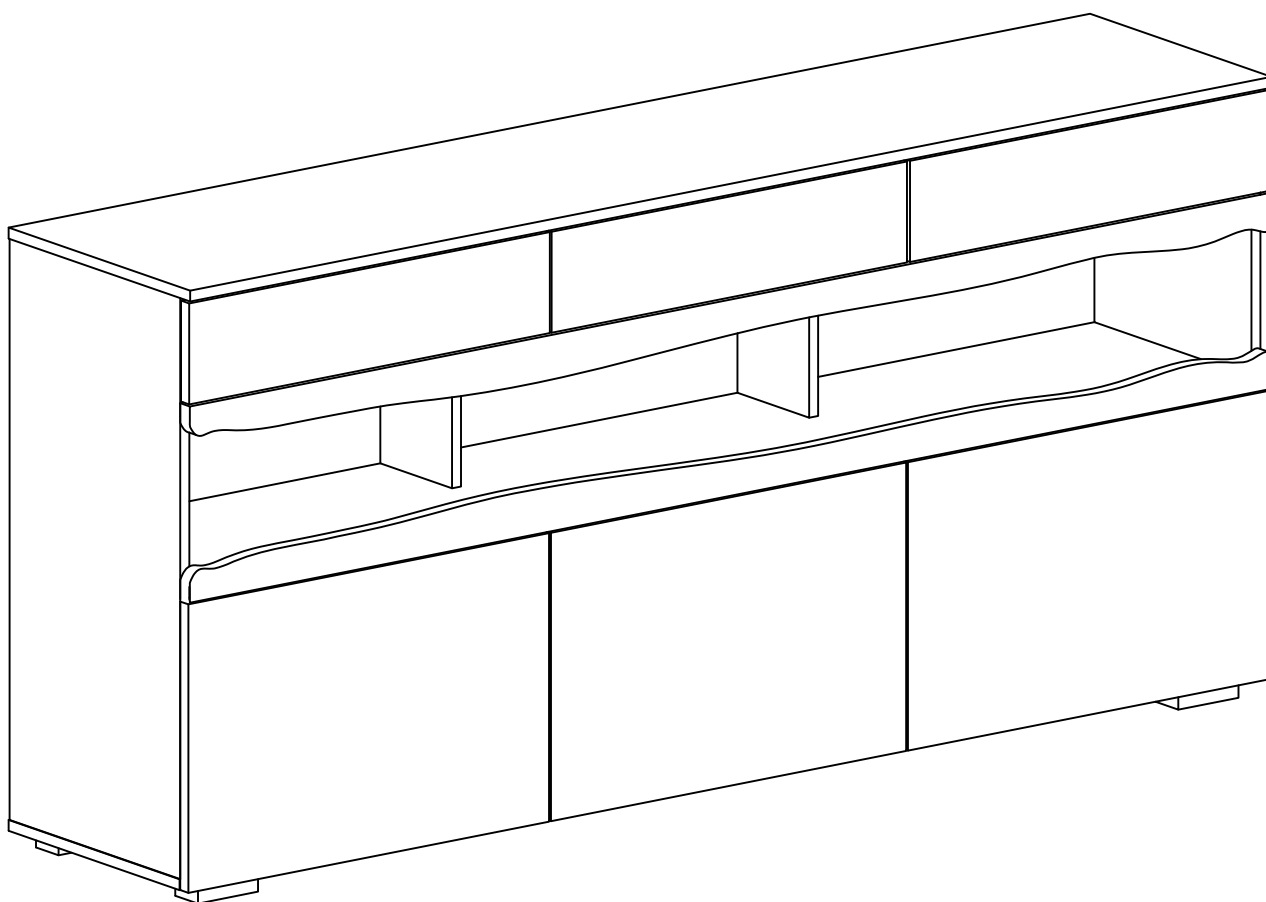
Modell : 40062/40063

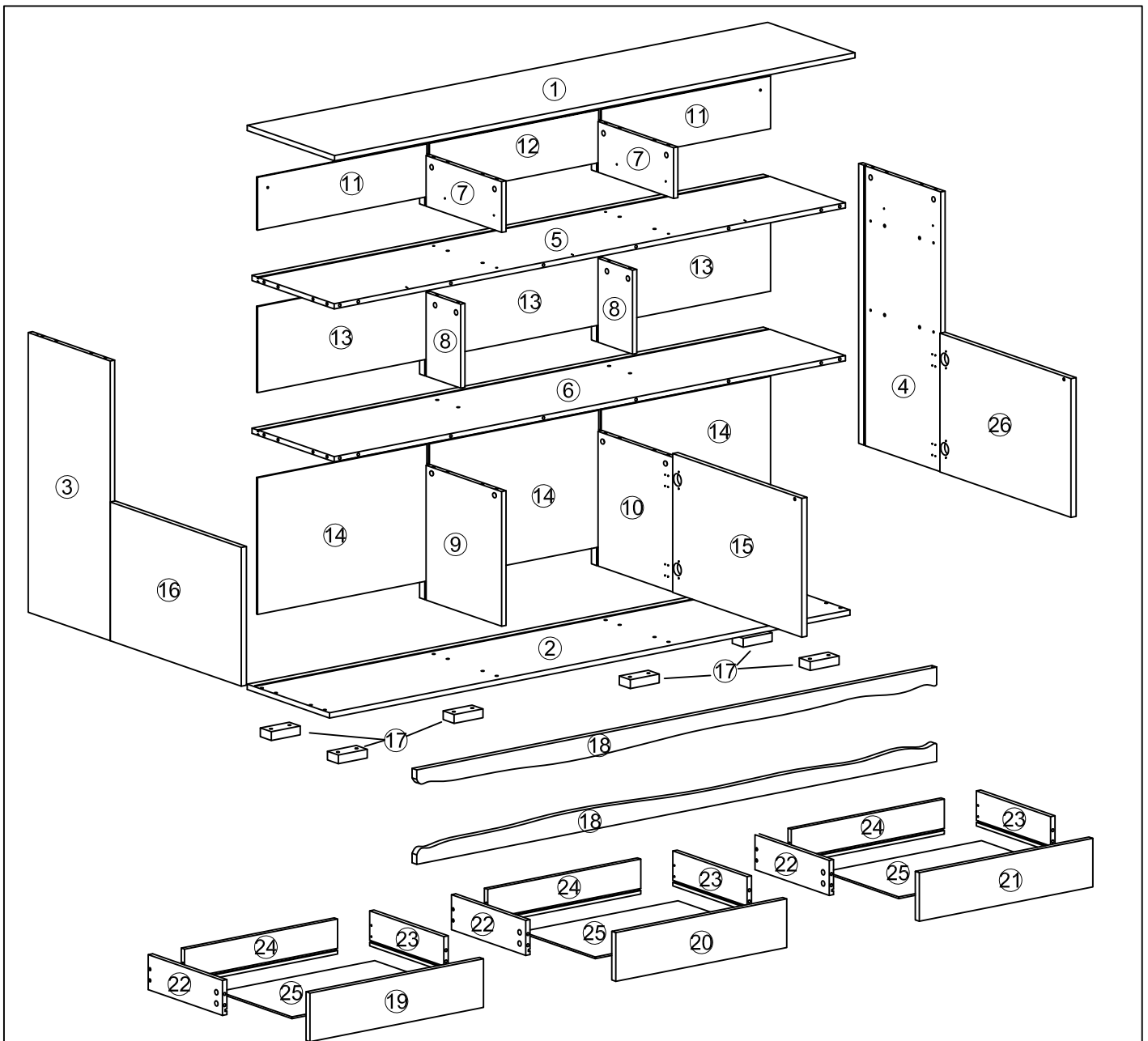


Invicta Interior GmbH & Co KG

25421 Pinneberg / Germany

info@invicta-interior.com / Tel.04101-8040615

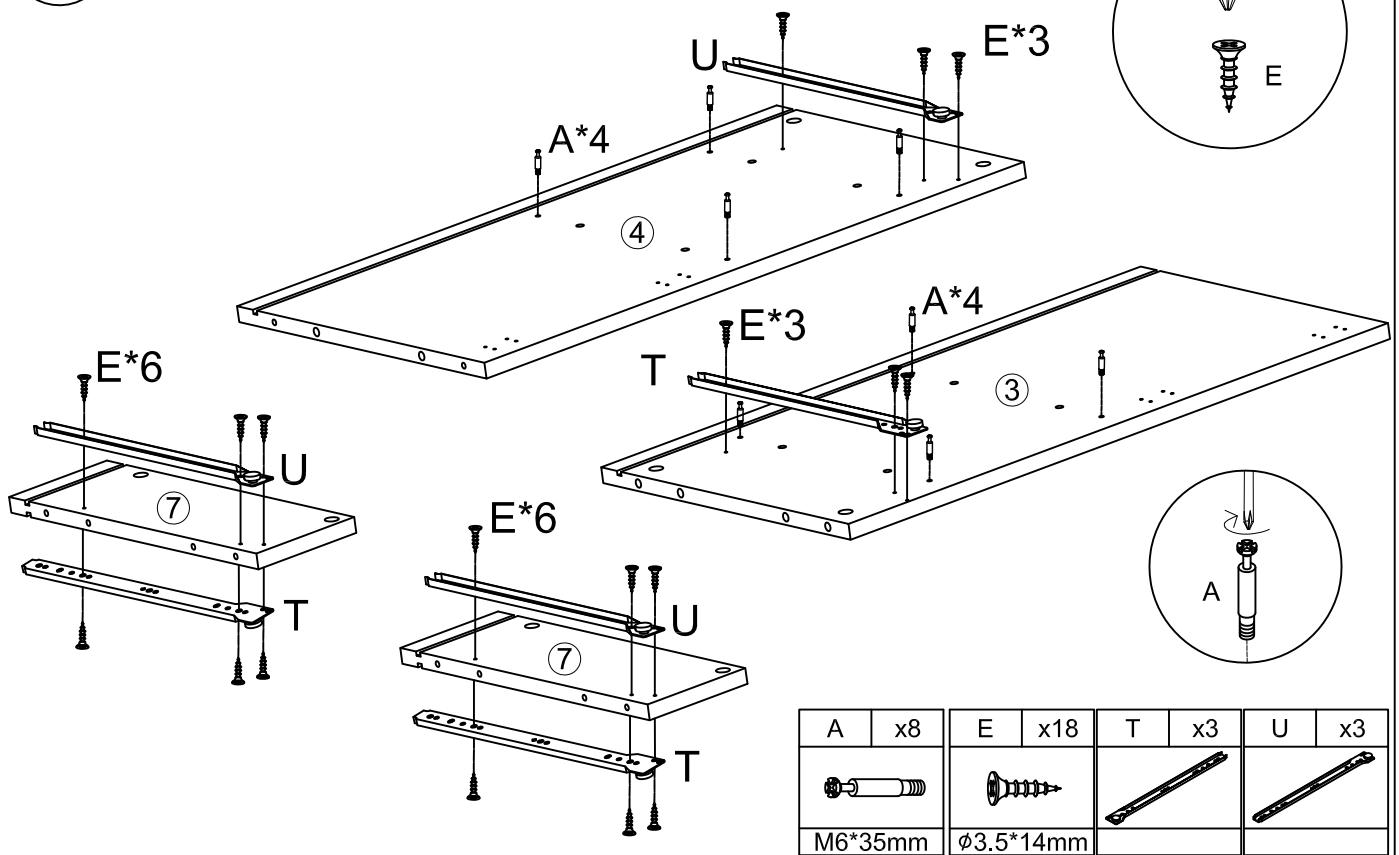




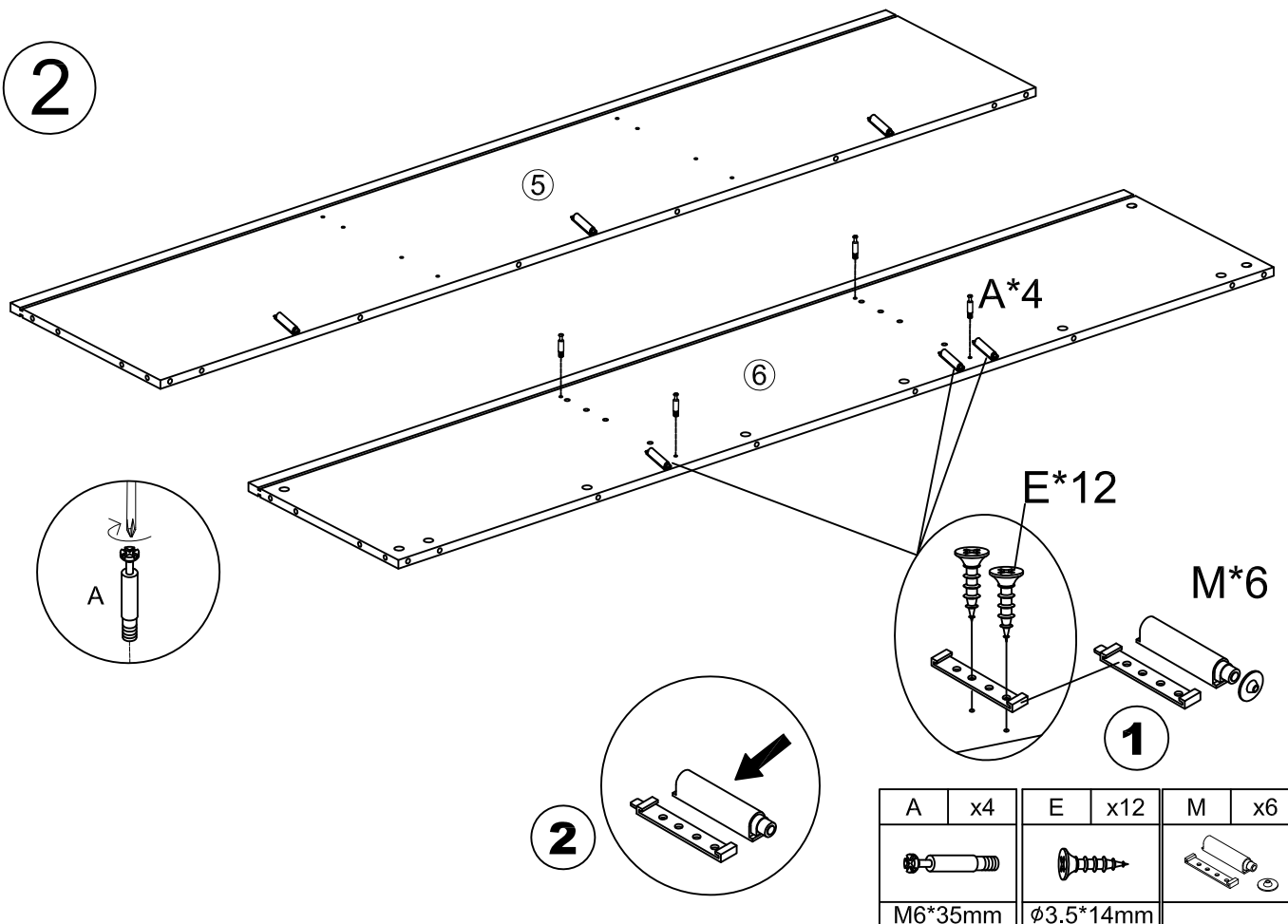
<p>2 PERSONEN</p>	<p>60 min</p>		
-------------------	---------------	--	--

<p>A x48</p> <p>M6*35mm</p>	<p>B x48</p> <p>ø15mm</p>	<p>C x36</p> <p>ø8*30mm</p>	<p>D x16</p> <p>M7*40mm</p>	<p>E x120</p> <p>ø3.5*14mm</p>	<p>F x2</p> <p>M4*45mm</p>	<p>G x12</p> <p>M6*30mm</p>	<p>H x1</p> <p>4#</p>
<p>I x4</p>	<p>J x2</p>	<p>K x24</p> <p>ø20</p>	<p>L x36</p>	<p>M x6</p>	<p>N x2</p>	<p>O x2</p>	<p>P x3</p>
<p>Q x12</p> <p>M4*35mm</p>	<p>R x6</p>	<p>S x3</p>	<p>T x3</p>	<p>U x3</p>			

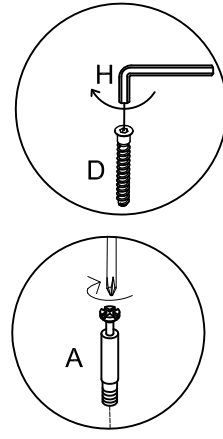
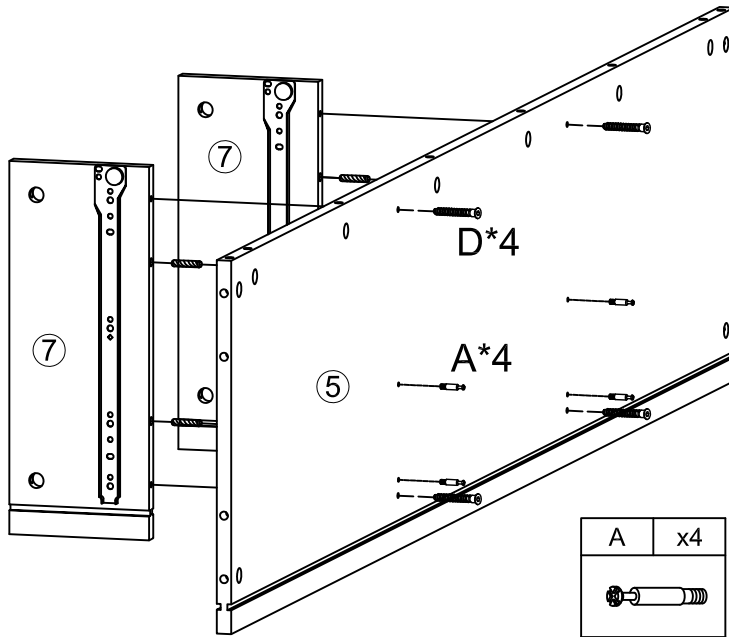
1



2

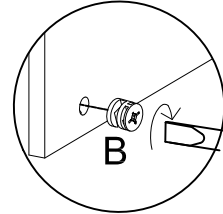
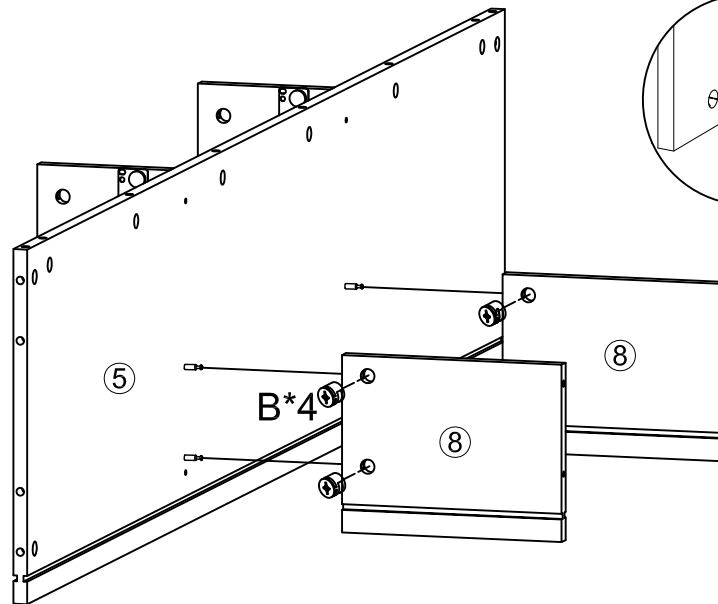


3



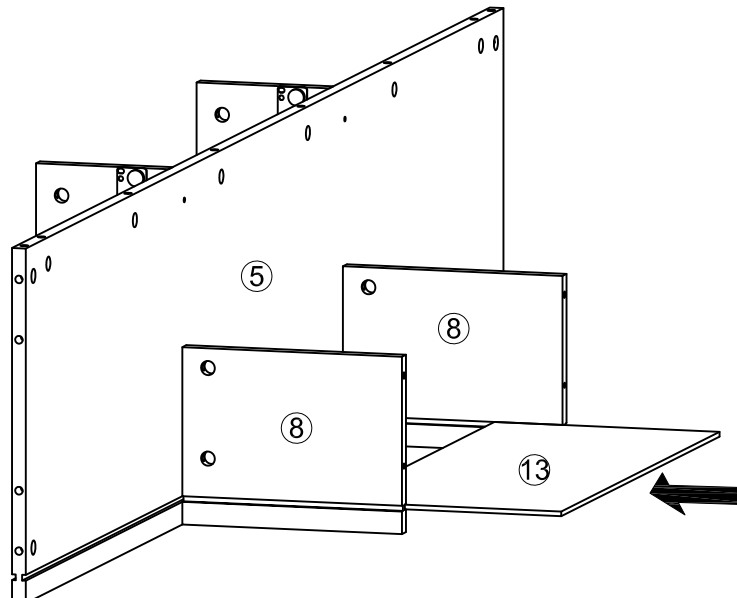
A	x4	C	x4	D	x4	H	x1
M6*35mm		ø8*30mm		M7*40mm		4#	

4

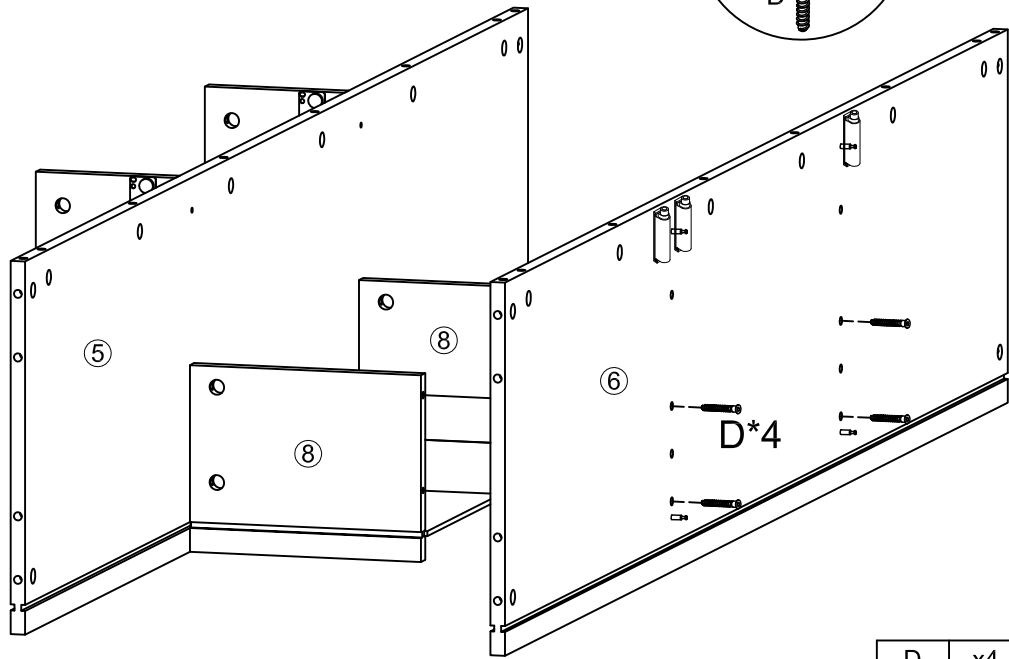
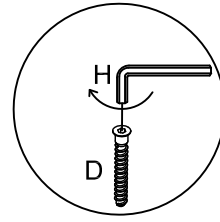




B	x4
ø15mm	

5

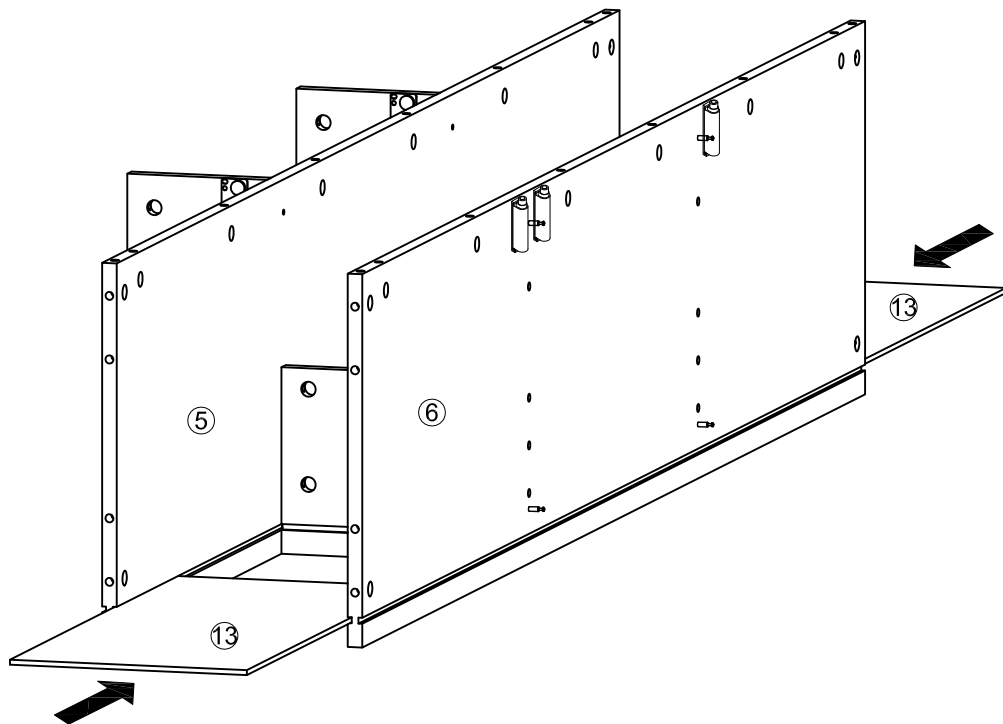


6

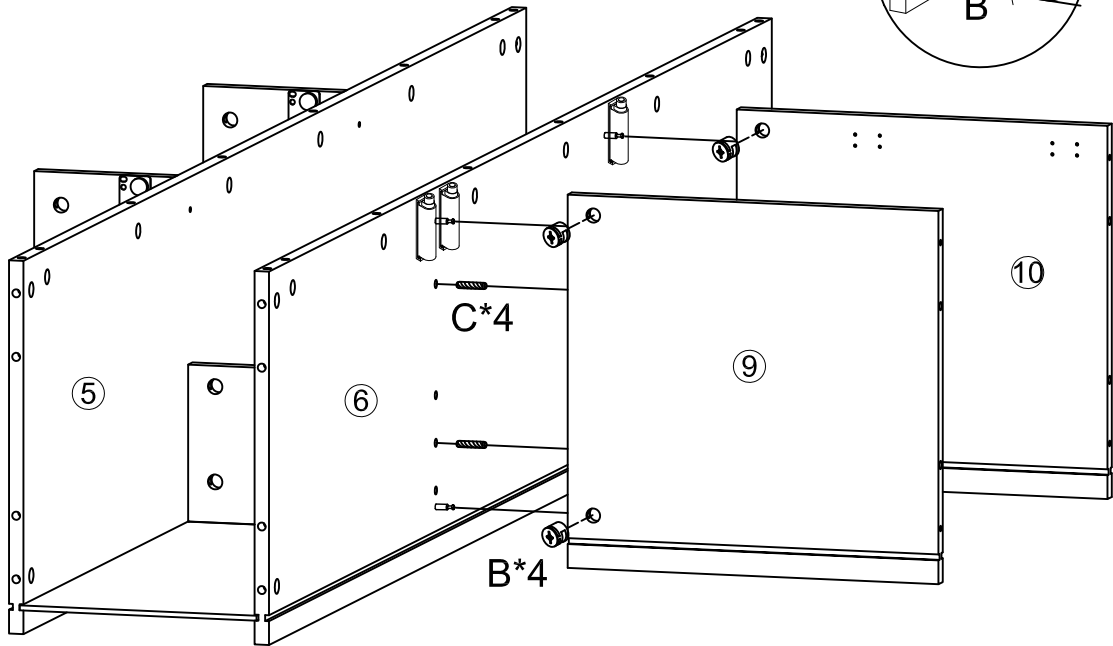
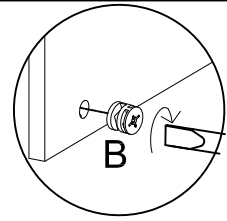


D	x4	H	x1
			
M7*40mm		4#	

7

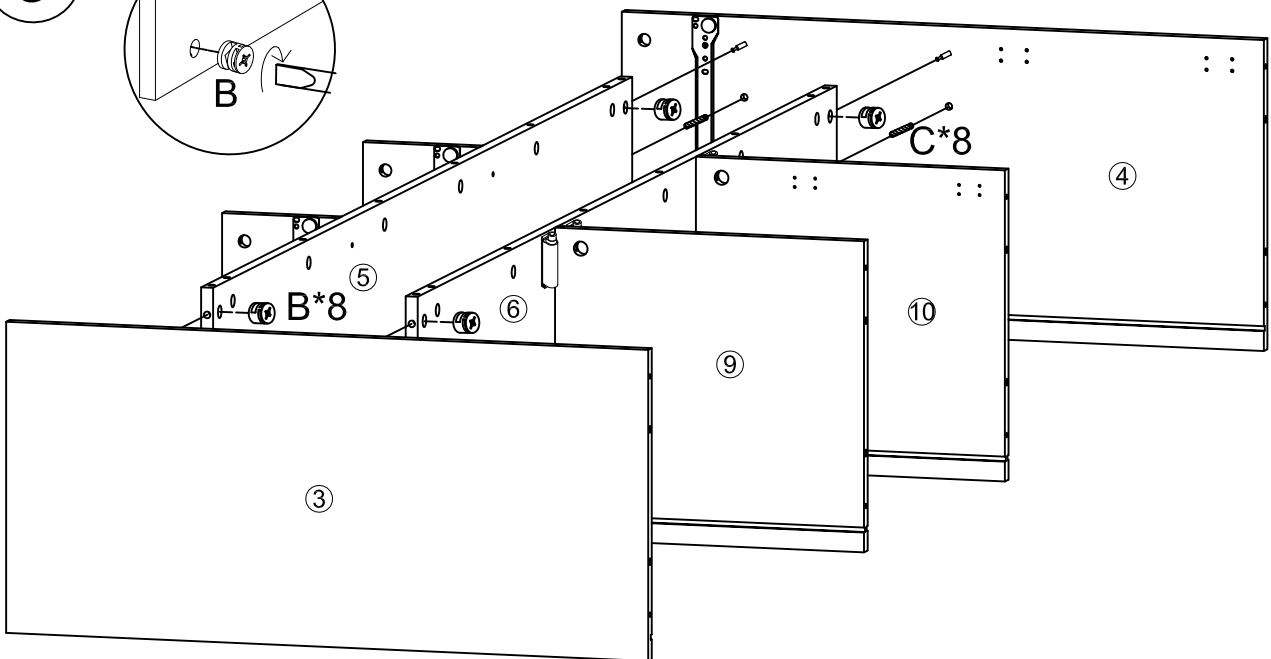
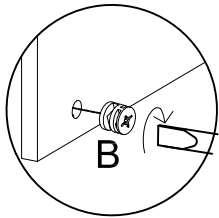


8



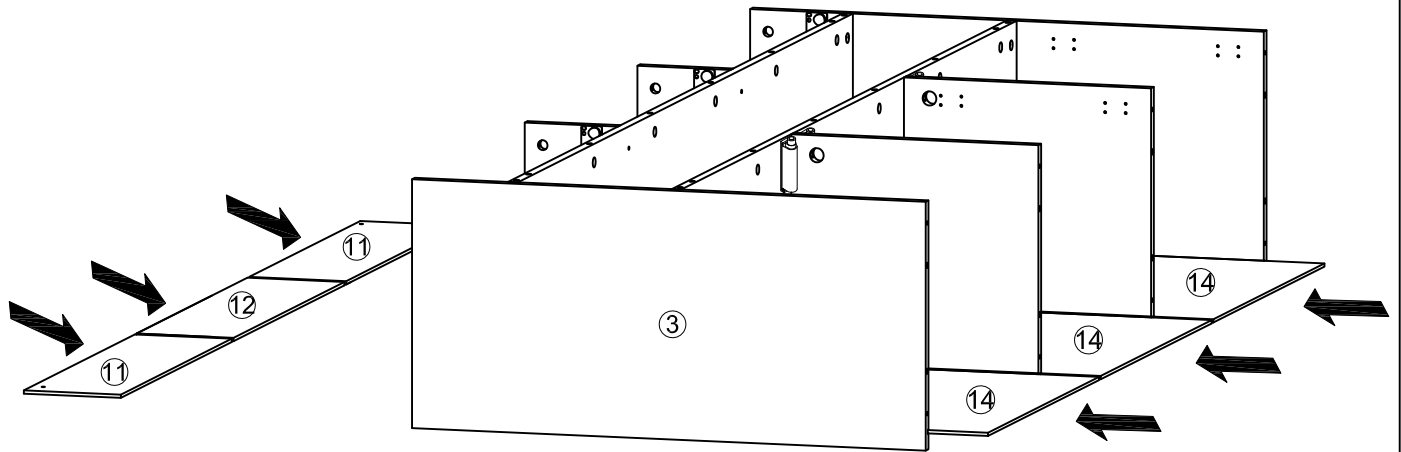
B	x4	C	x4
ø15mm		ø8*30mm	

9

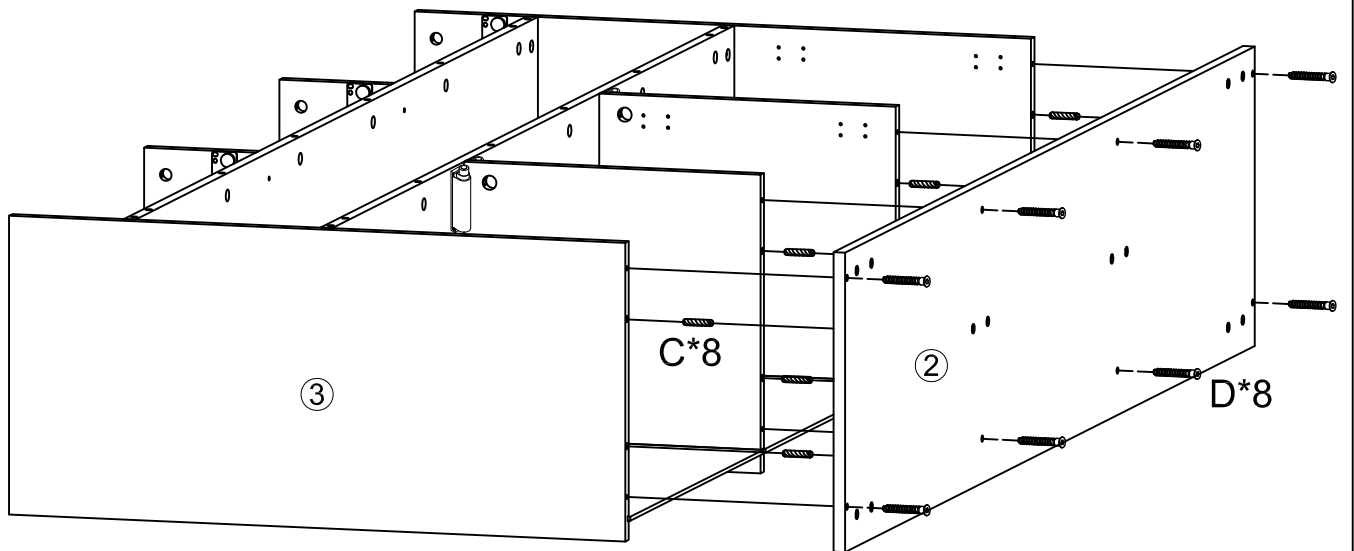
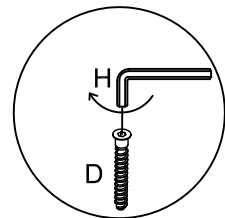





B	x8	C	x8
ø15mm		ø8*30mm	

10

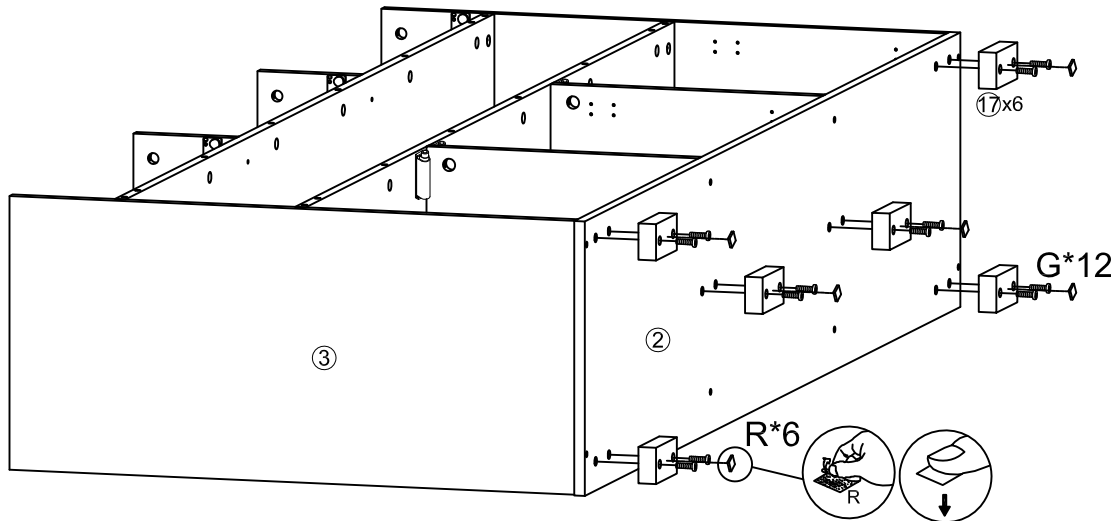


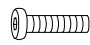


11



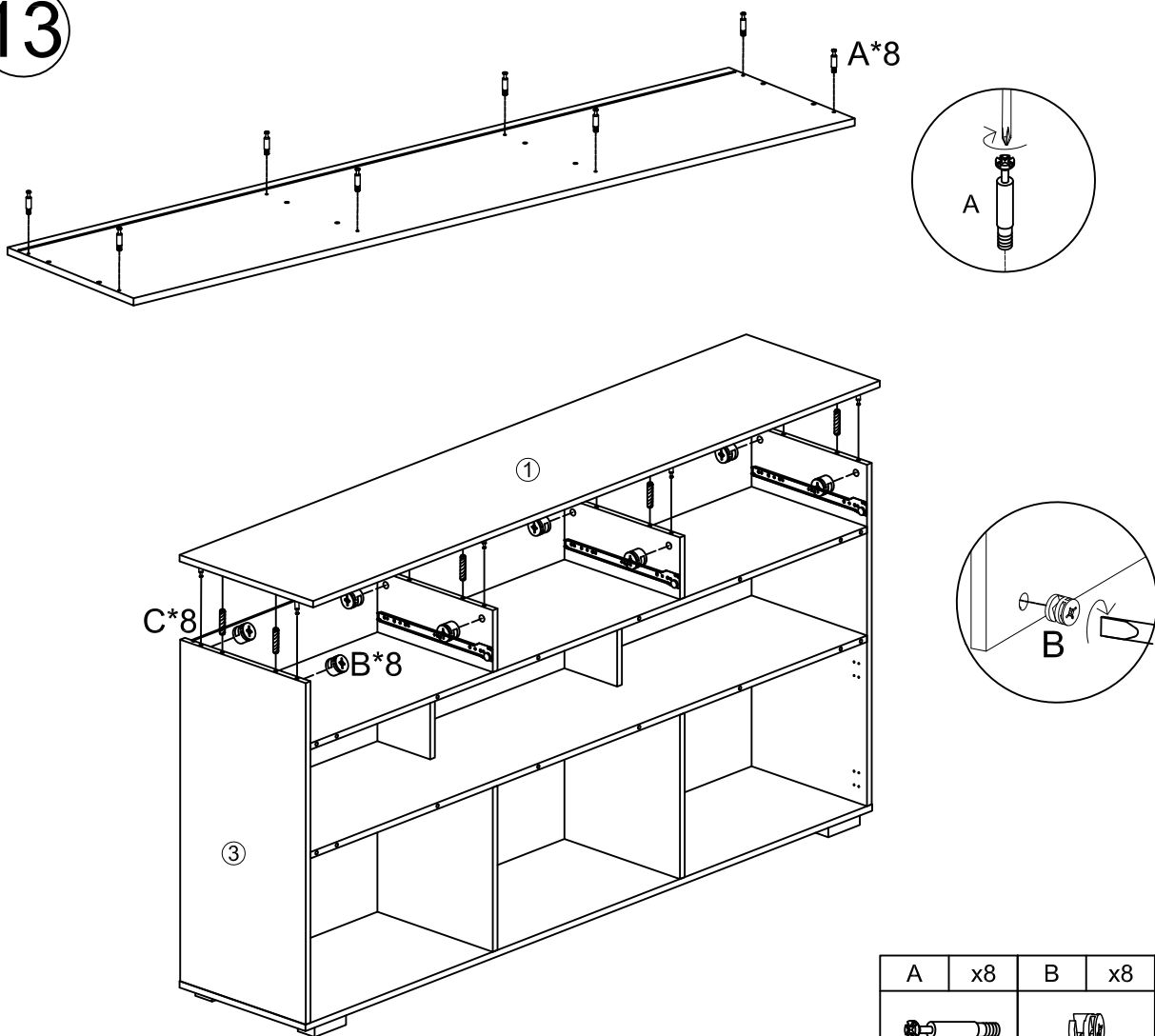
C	x8	D	x8	H	x1
					
ø8*30mm		M7*40mm		4#	

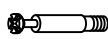

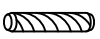
12



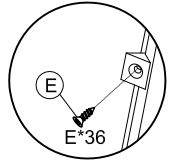
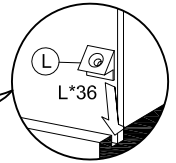
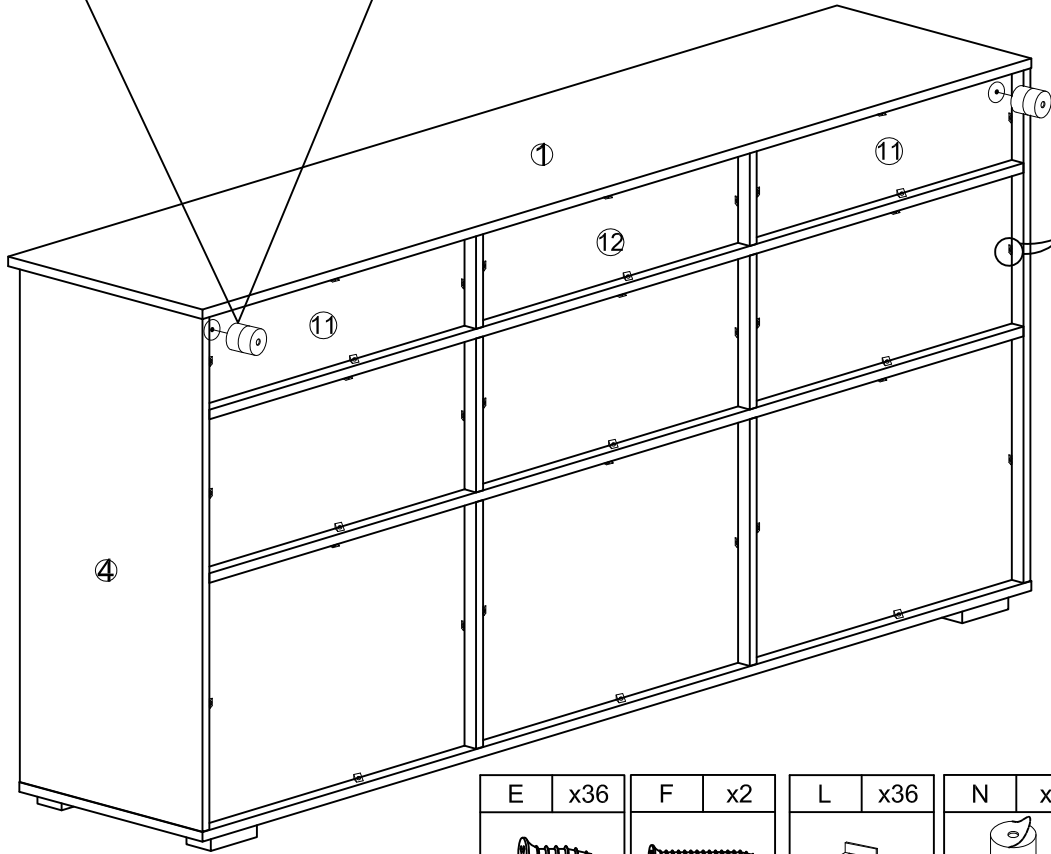
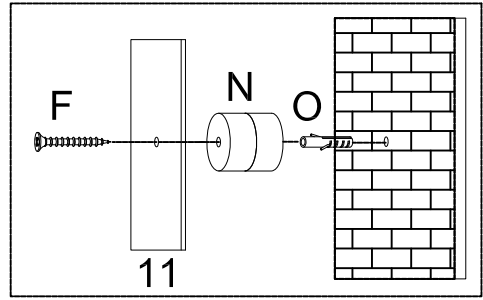
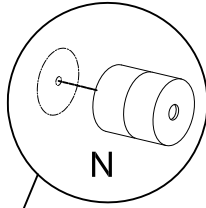
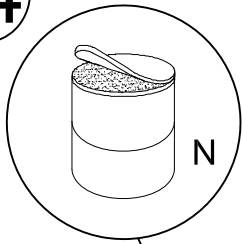
G	x12	H	x1	R	x6
					
M6*30mm		4#			

13



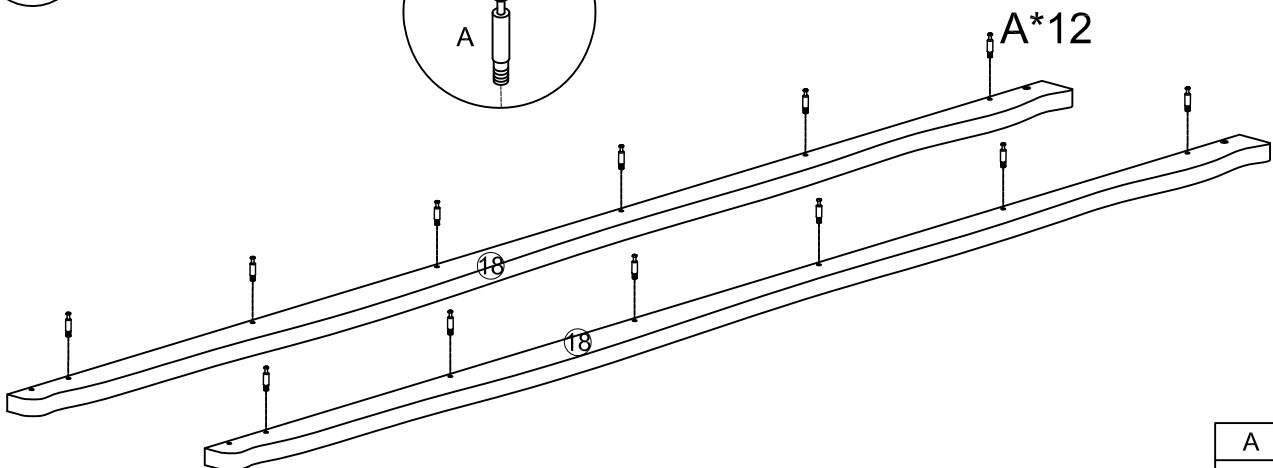
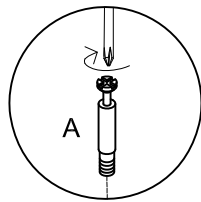
A	x8	B	x8	C	x8
					
M6*35mm		φ15mm		φ8*30mm	

14



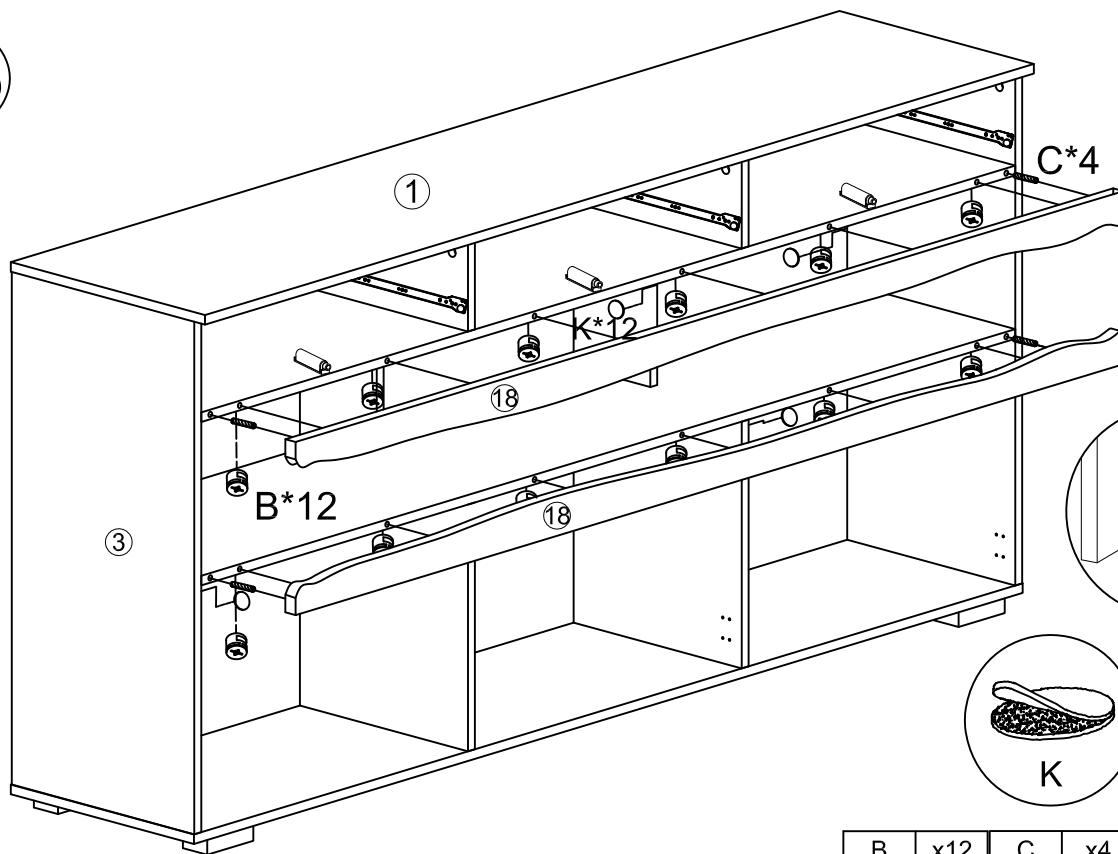
E	x36	F	x2	L	x36	N	x2	O	x2
ø3.5*14mm		M4*45mm							


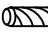

15



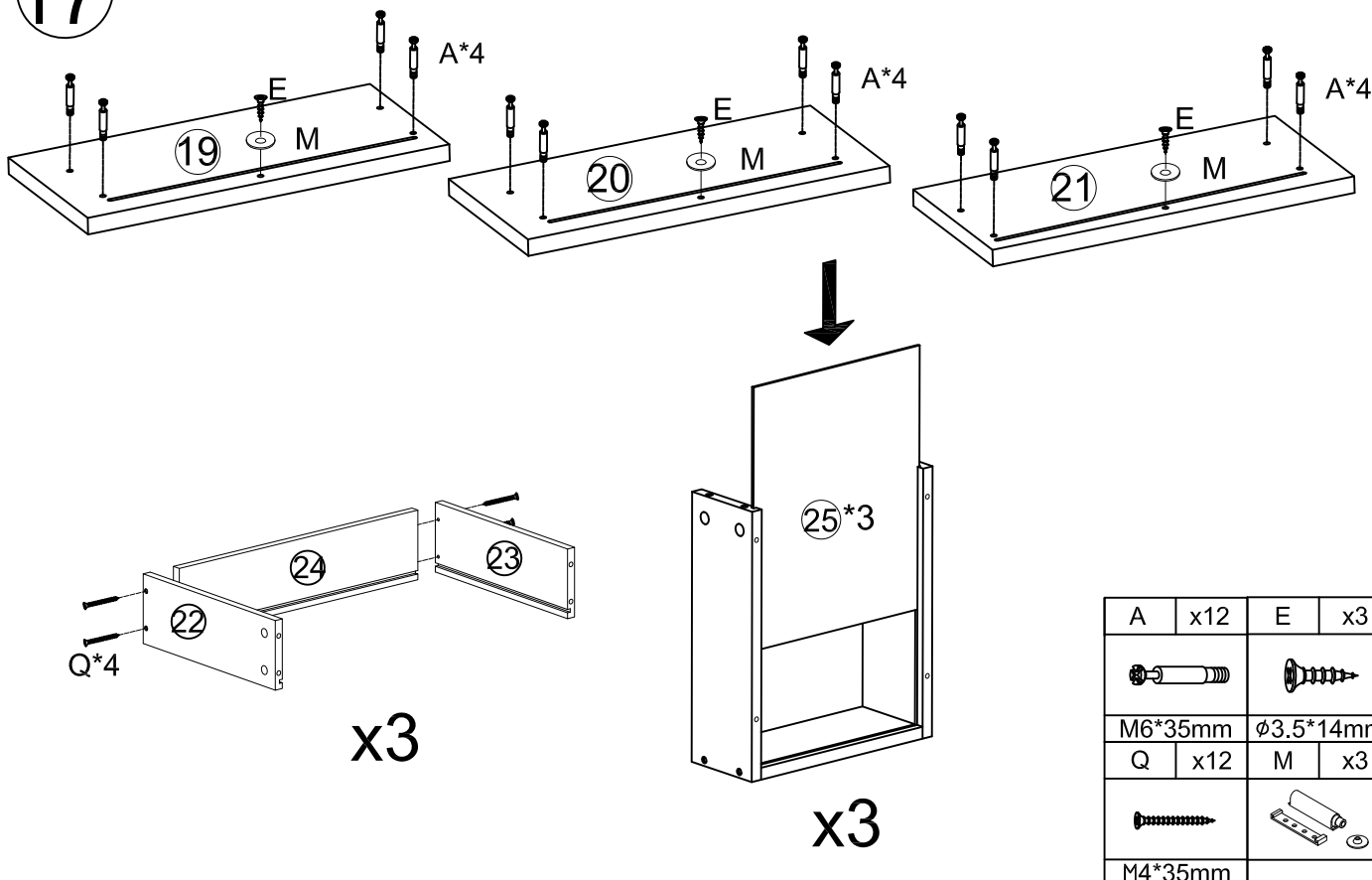
A	x12
M6*35mm	

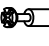
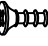

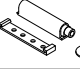
16



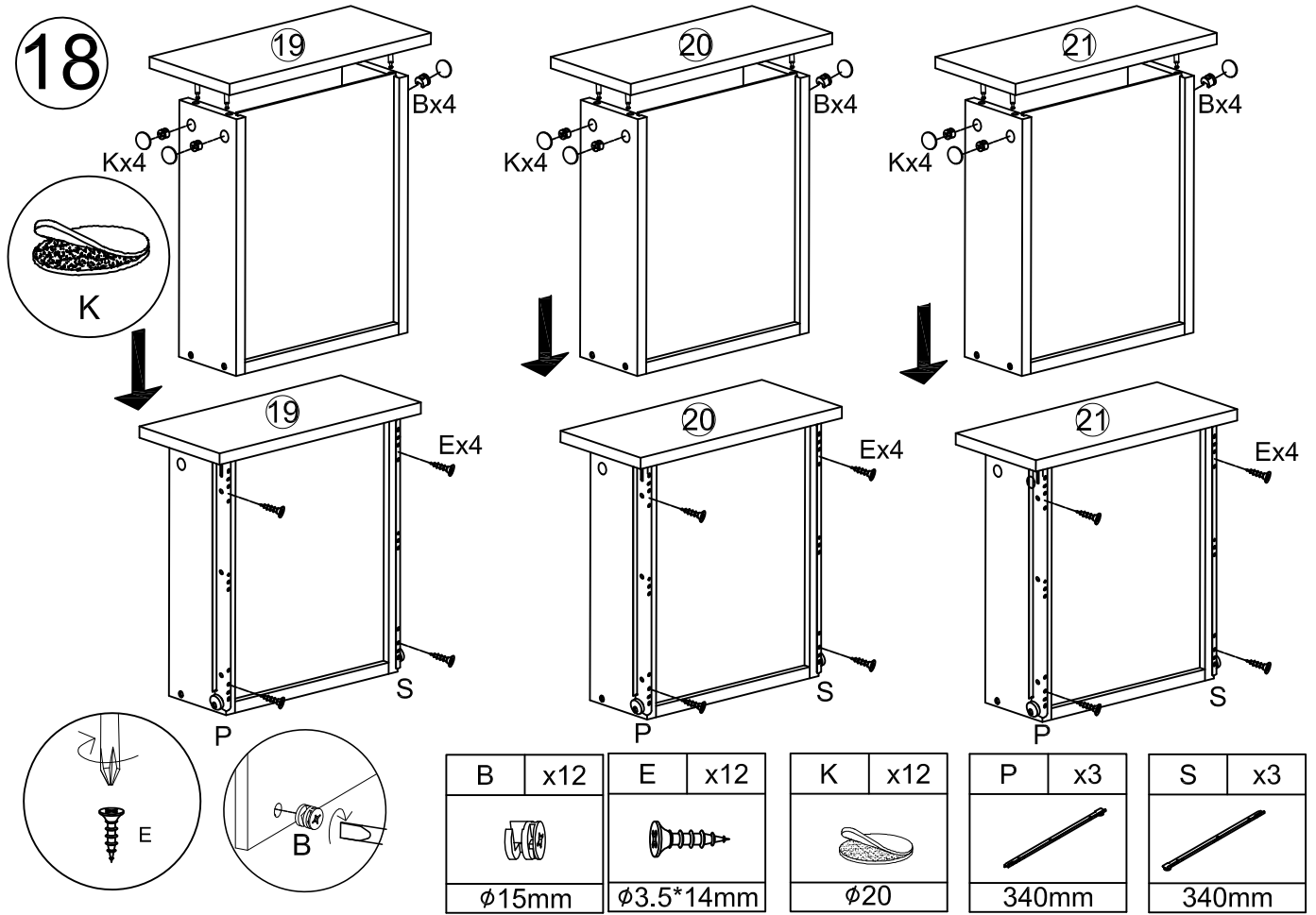
B	x12	C	x4	K	x12
					
φ15mm		φ8*30mm		φ20	

17

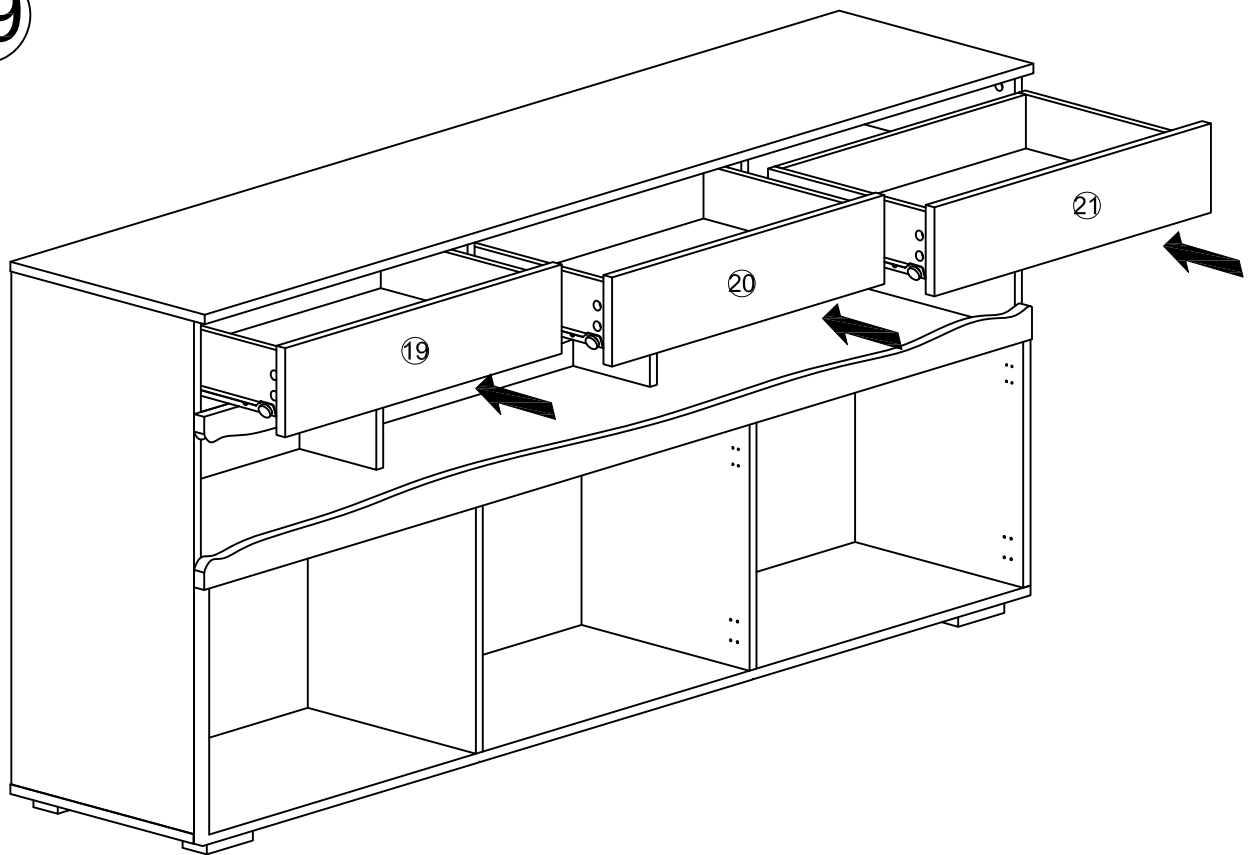


A	x12	E	x3
			
M6*35mm		φ3.5*14mm	
Q	x12	M	x3
			
M4*35mm			

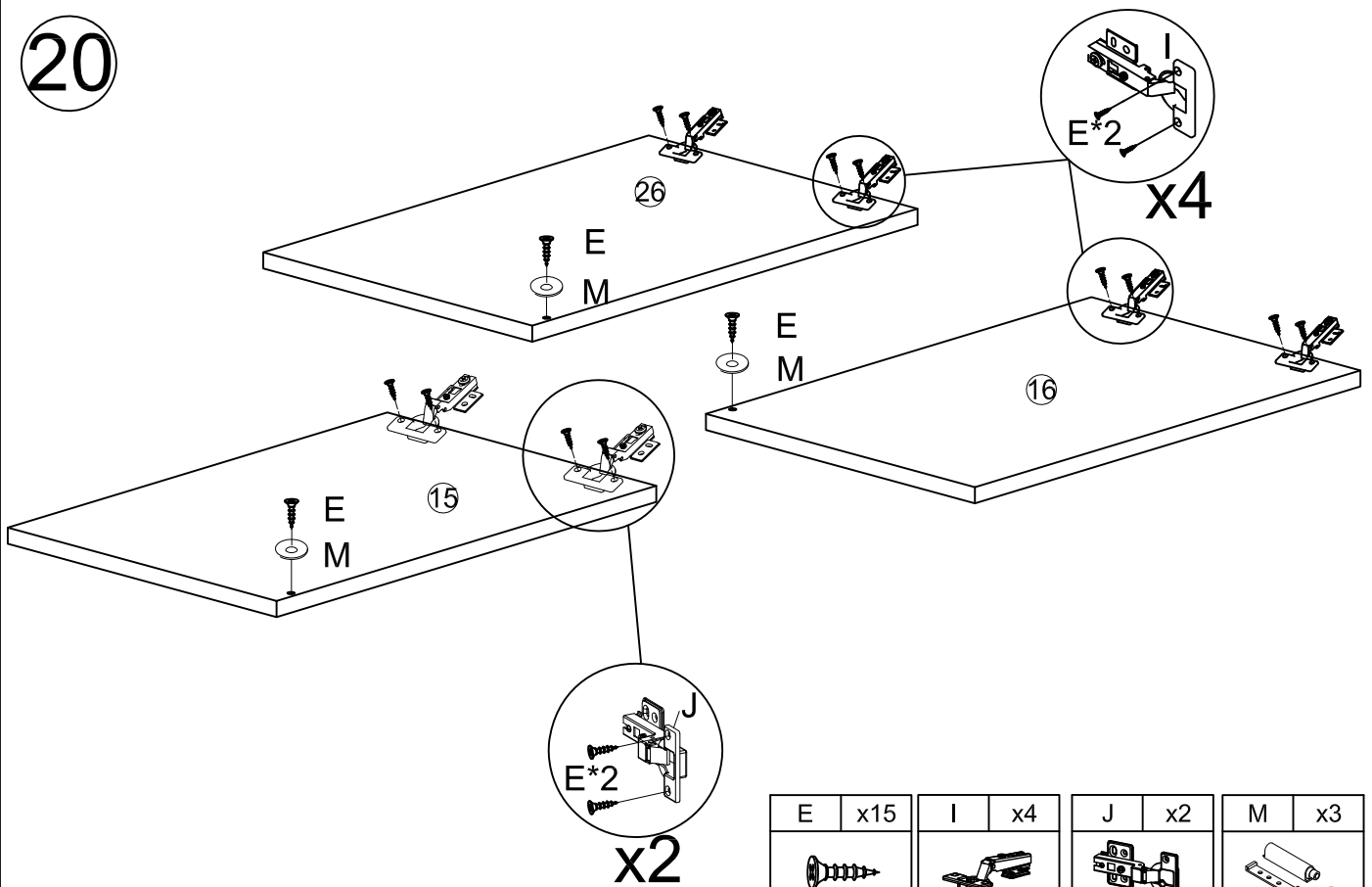
18







19

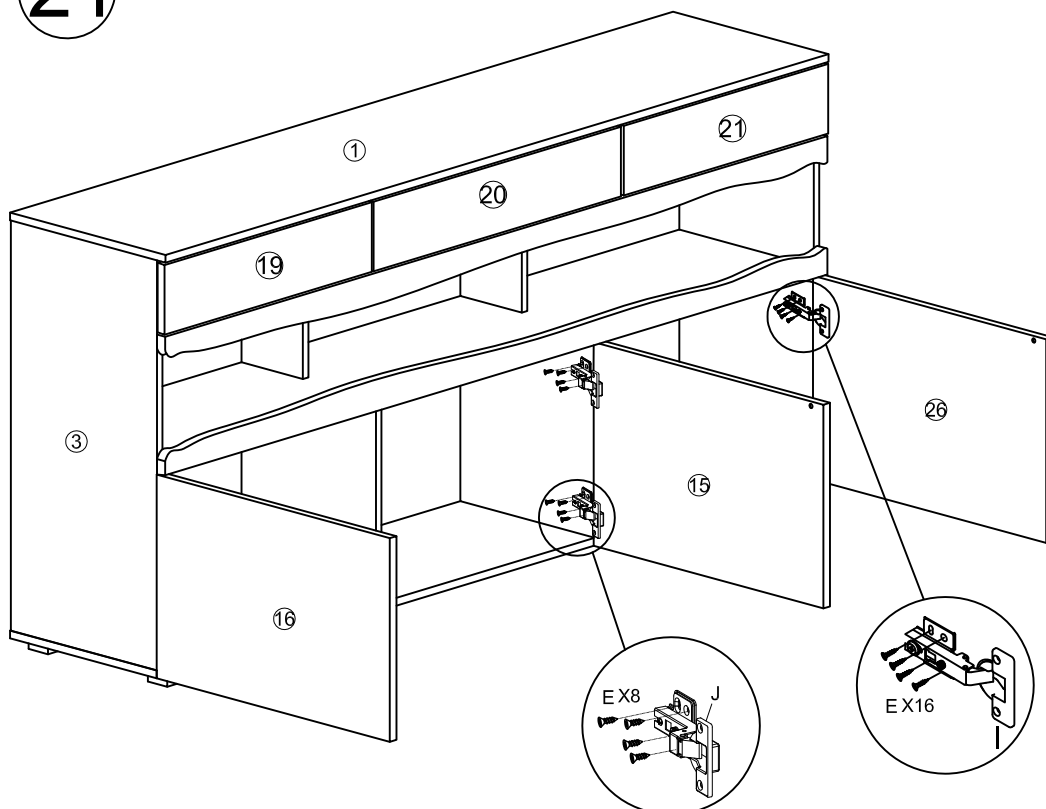



20



E	x15	I	x4	J	x2	M	x3
							
ø3.5*14mm							

21



E	x24
	
ø3.5*14mm	